

# 1. Product specification

## Technical data

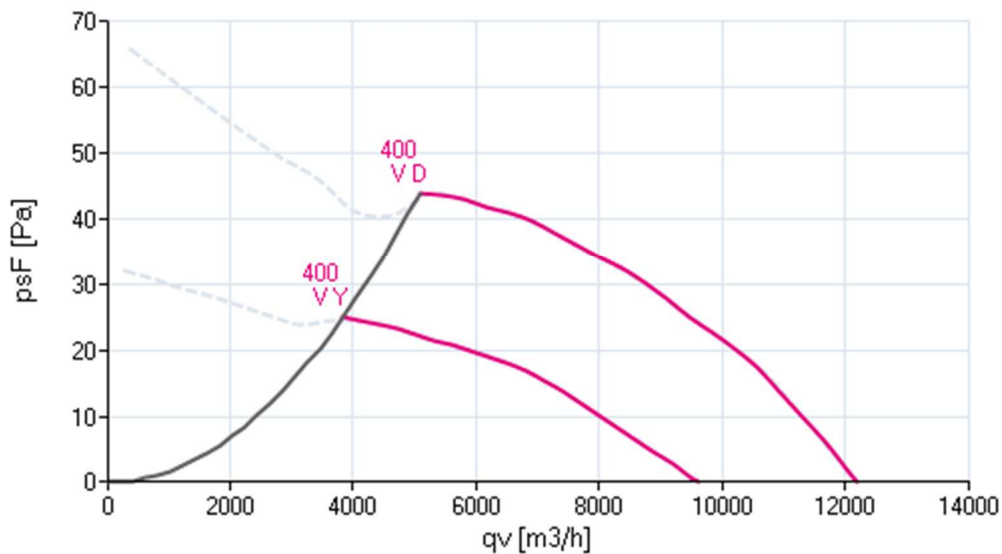
<b>Article number</b>	141684
<b>Type</b>	FN080-NDK.6F.V7P2
<b>Designation</b>	Axial fan with sickle blades
<b>Rated values</b>	3~400V±10% D/Y 50Hz P <sub>1</sub> 0.37/0.20kW 0.92/ 0.42A ΔI=0% 430/ 320/min COSY 0,57 70°C 3~400V±10% D/Y 60Hz P <sub>1</sub> 0.46/0.21kW 1.00/ 0.44A ΔI=0% 450/ 280/min COSY 0,68 70°C 3~460V±10% D/Y 60Hz P <sub>1</sub> 0.54/0.26kW 1.05/ 0.48A ΔI=0% 490/ 320/min COSY 0,65 70°C
<b>Electrical connection</b>	Terminal box K62
<b>Min. operating temperature °C</b>	-40
<b>Mounting type terminal box</b>	Mounted on Stator
<b>Type of protection</b>	IP54
<b>Thermal class</b>	THCL155
<b>Connection diagram</b>	1360-108XA
<b>Rating plate</b>	1x fixed
<b>Fitting position</b>	H/Vu/Vo
<b>Motor protection</b>	thermal contact
<b>Impregnation</b>	Moisture and hot climate protection
<b>Quality of bearings</b>	ball bearing with long-time lubrication
<b>Material Rotor</b>	Aluminium
<b>Painting rotor</b>	unpainted
<b>Material blades</b>	aluminium
<b>Painting impeller</b>	unpainted
<b>Guard grille type</b>	ring grille
<b>Painting mot.suspens</b>	Motor suspension powder-coated consistency class 2
<b>colour suspension</b>	RAL 9005 (jet black)
<b>Weight kg</b>	30,70
<b>ErP Data</b>	Does not comply with the stipulations of the ErP regulations



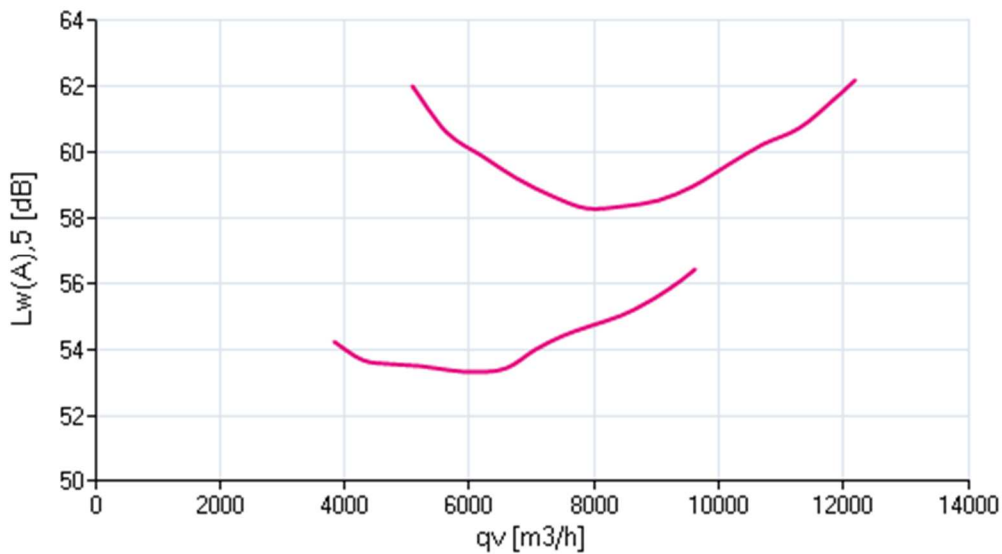
Chyba! V dokumentu není žádný text  
Chyba! V dokumentu není žádný text

## 2. Characteristic Curve

### Air performance



### Acoustics

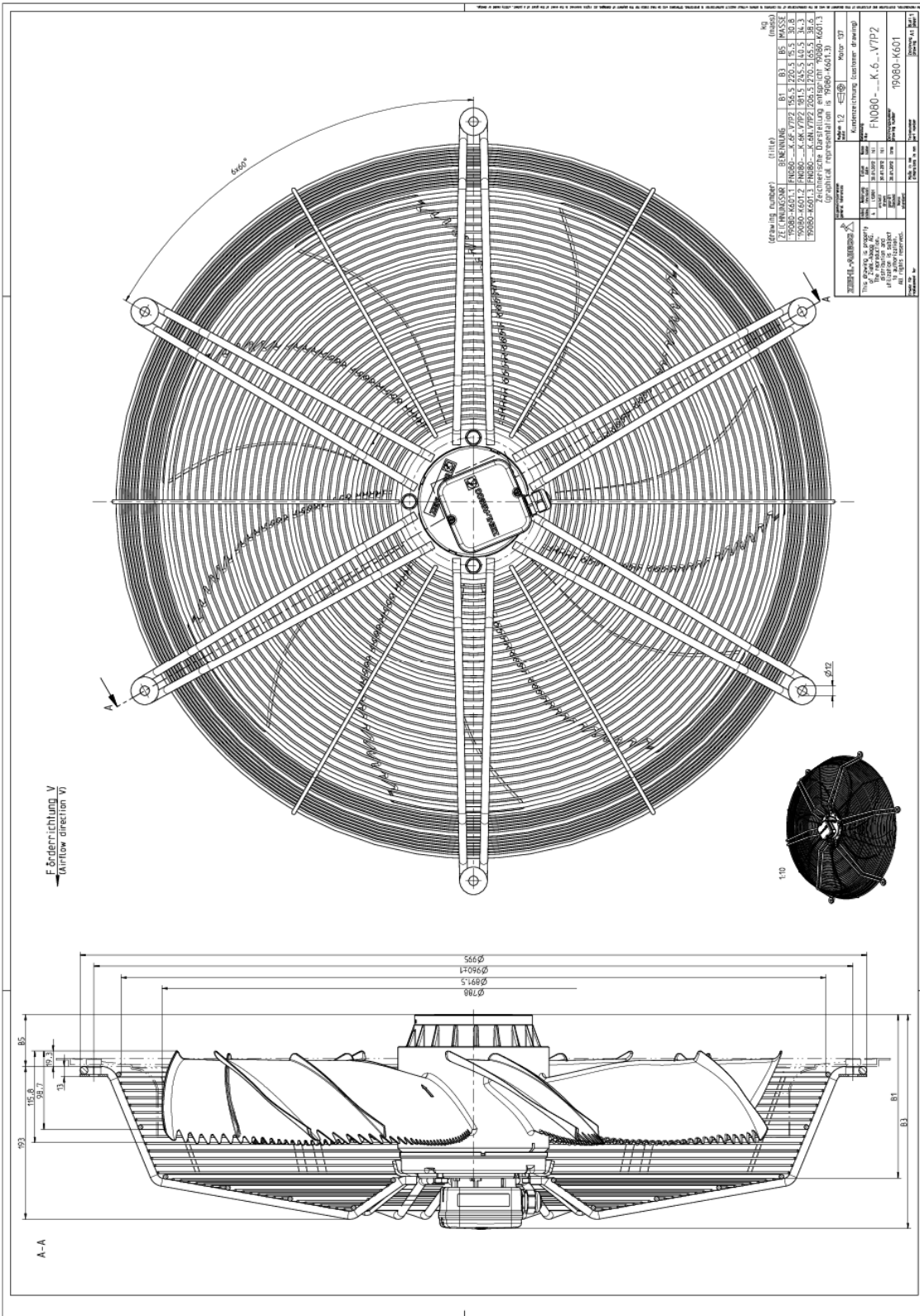


Chyba! V dokumentu není žádný text  
Chyba! V dokumentu není žádný text

# The Royal League

## Die Königsklasse

### 3. Drawing



Dimensions in mm

Shown drawing is just to show the dimensions of the fan.

www.ziehl-abegg.com  
ErstellsQQQXXXYYdate

Movement by Perfection | Bewegung durch Perfektion

Chyba! V dokumentu není žádný text  
Chyba! V dokumentu není žádný text

### 4. Connection diagram

#### Connection diagram

#### 1360-108XA

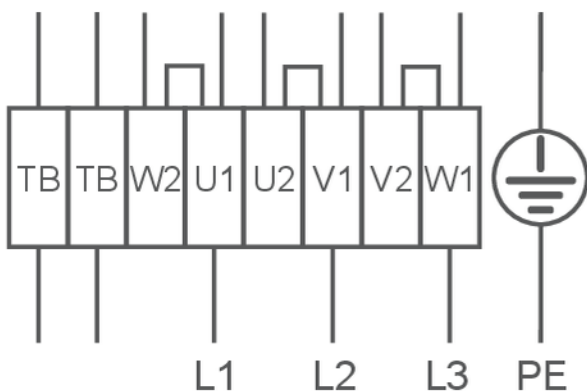
#### Description

3~ motor, 2 speeds (D/Y switch over) with thermostatic switch (if built in).  
Without bridge when using speed change-over switch.

#### Cable colours

- U1 brown
- V1 blue
- W1 black
- U2 red
- V2 grey
- W2 orange
- TB white

#### High speed/D-connection



#### Low speed/Y-connection

